

MOCOWANIE TYPU

AJIAL AXIAL

*Striving for
excellence*



**PRESS BRAKE
TOOLING AND
EQUIPMENT**

ROLLERI

POLMET

tel/fax 018 3310177

biuro@polmet.biz

tel/fax 018 3312241

www.polmet.biz

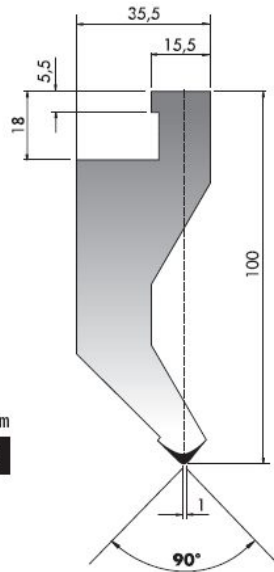
AJIAL-AXIAL TYPE

Hrc 54-60 (1980->2200 N/mm²)

AXP.100.90.1 C45

90°

1020

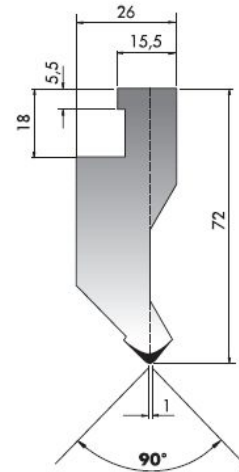


max l/m
AXP.100.90.1 100

AXP.72.90.1 C45

90°

1020

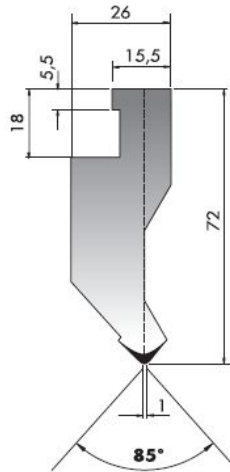


max l/m
AXP.72.90.1 100

AXP.72.85.1 C45

85°

1020

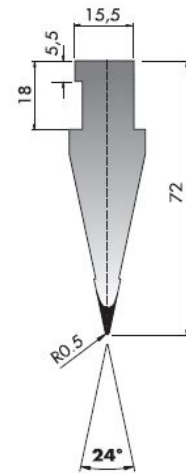


max l/m
AXP.72.85.1 100

AXP.72.24.R05 C45

24°

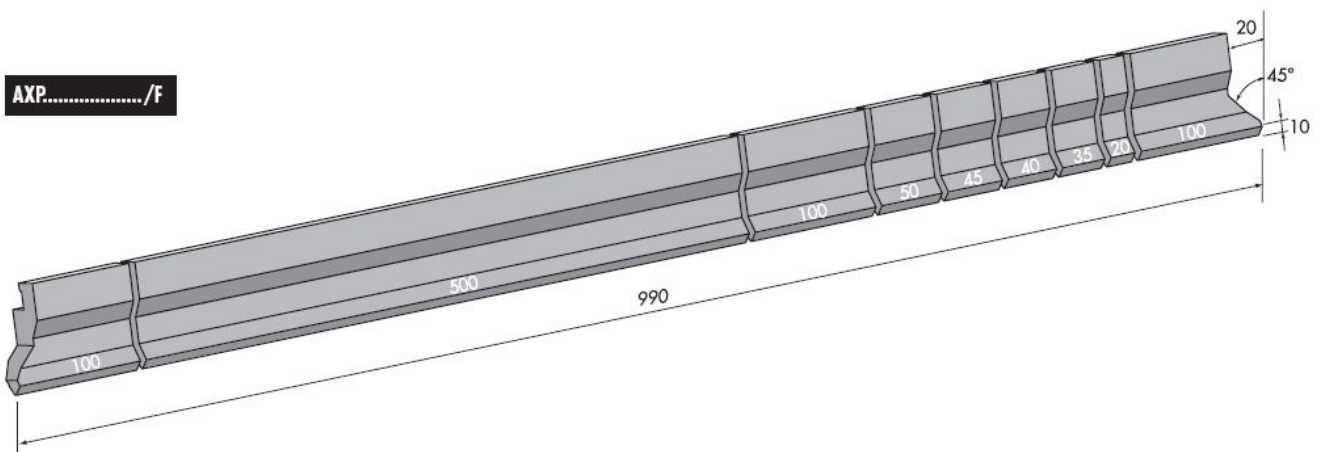
1020



max l/m
AXP.72.24.R05 100

AXP

AXP...../F



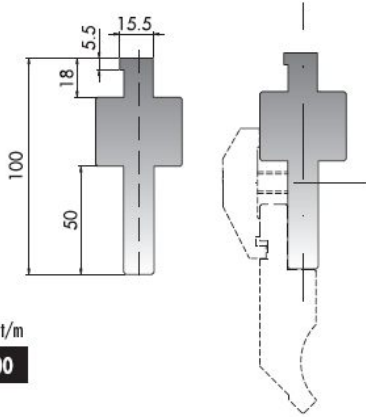
C45 560-710 N/mm²

42Cr 900-1150 N/mm²

AD15 (AJIAL-AXIAL/PROMECA)

C45

150



max t/m

AD-15 100



POLMET

Ul. Starowiejska 41
34-730 Mszana Dolna
www.polmet.biz

tel/fax 018 3312241
tel/fax 018 3310177
biuro@polmet.biz



ROLLERI

Rolleri SpA

I-29020 Vigolzone (PC) - Italia - Via Artigiani, 18
Tel. +39 0523 870905 - Fax +39 0523 879030
E-mail: info@rolleri.it - www.rolleri.it