

MOCOWANIE TYPU

COLGAR

*Striving for
excellence*



**PRESS BRAKE
TOOLING AND
EQUIPMENT**

ROLLERI

POLMET

tel/fax 018 3310177

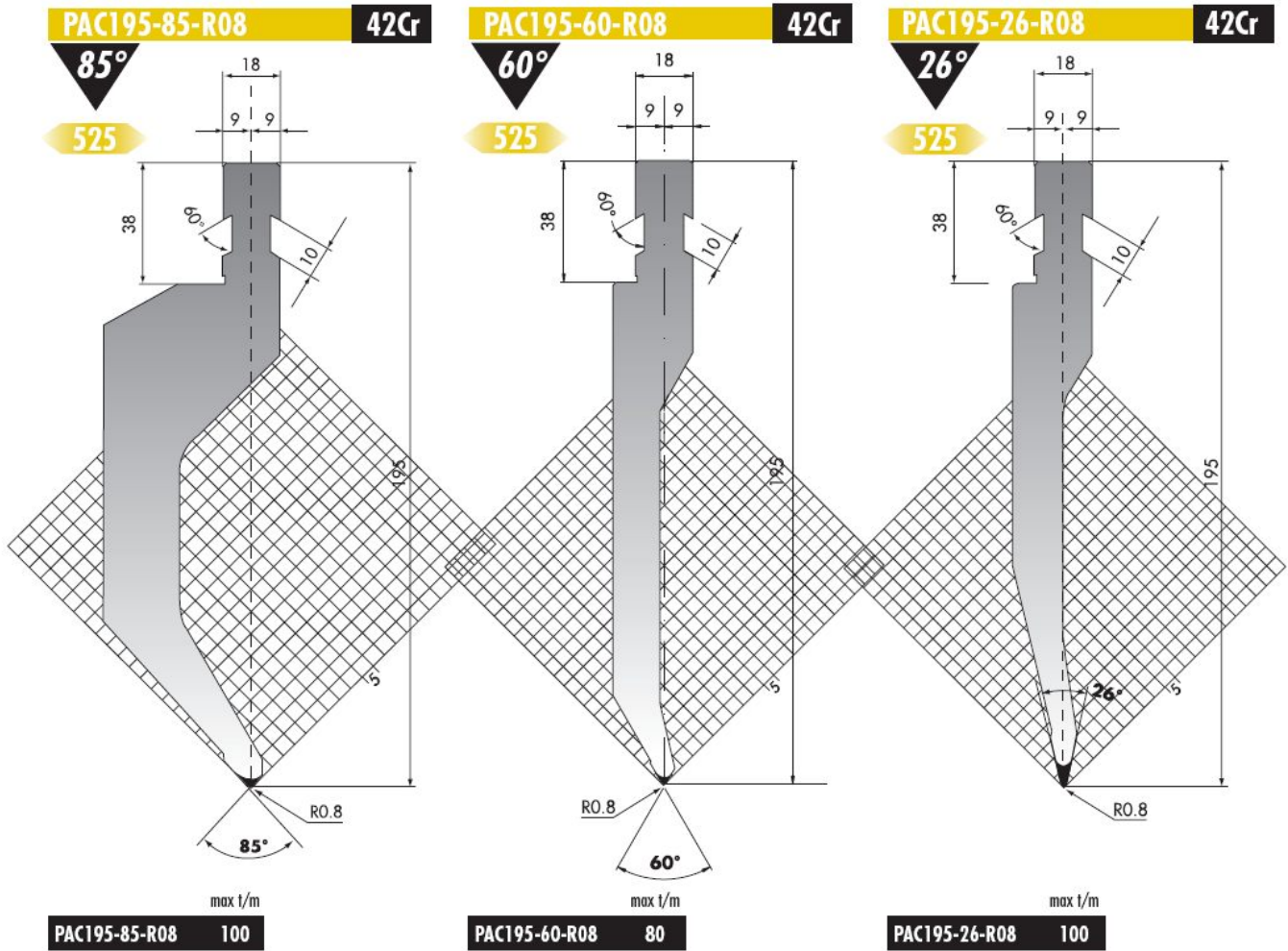
biuro@polmet.biz

tel/fax 018 3312241

www.polmet.biz

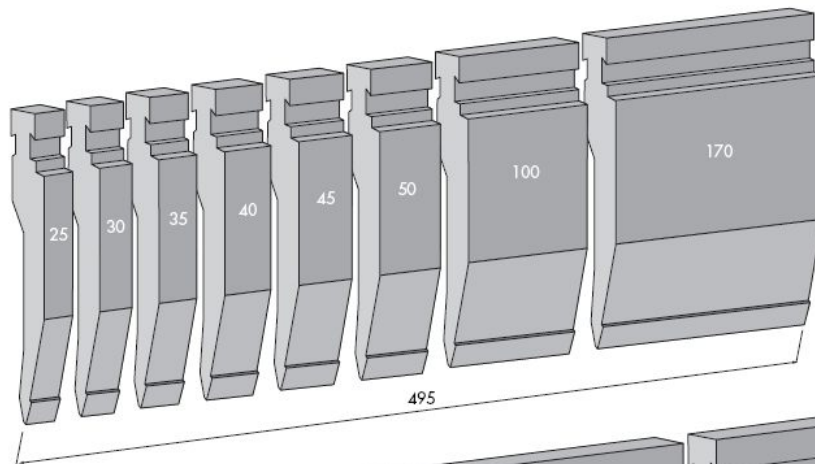
COLGAR TYPE

HRc 54-60 (1980->2200 N/mm²)

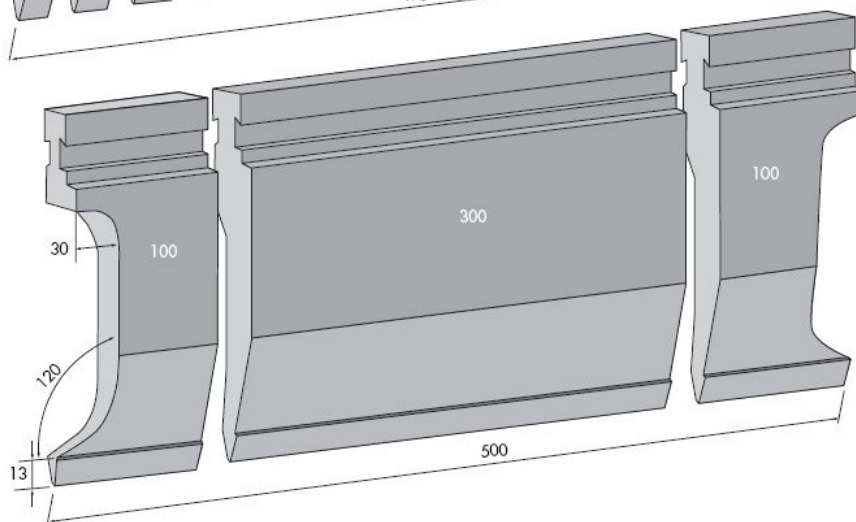


PAC

PAC195...../FA



PAC195...../FB

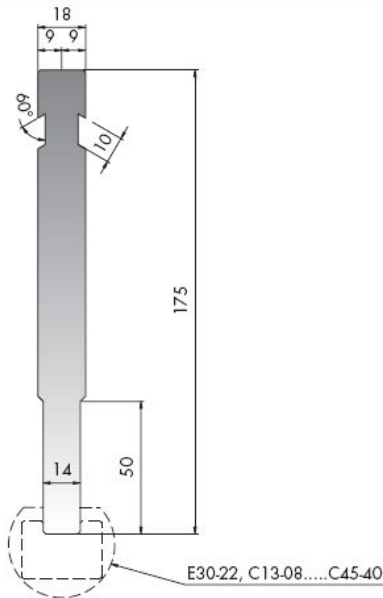


C45 560-710 N/mm²

42Cr 900-1150 N/mm²

PAC175-14

830



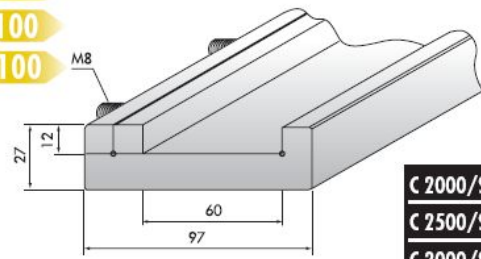
C 2000/S C 2500/S C 3000/S C 4000/S

2100

2600

3100

4100



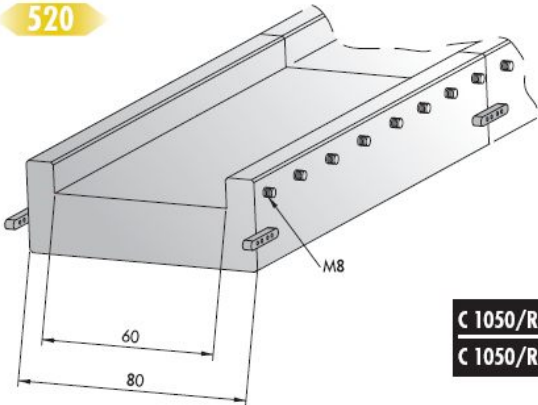
L mm

| | |
|----------|------|
| C 2000/S | 2100 |
| C 2500/S | 2600 |
| C 3000/S | 3100 |
| C 4000/S | 4100 |

C 1050/R

1050

520

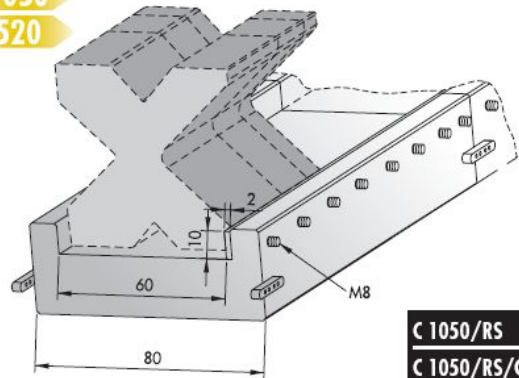


| | |
|------------|------|
| C 1050/R | 1050 |
| C 1050/R/C | 520 |

C 1050/RS

1050

520

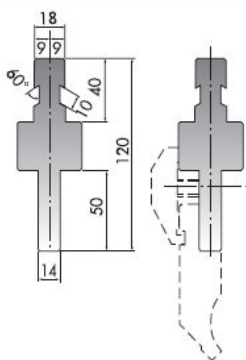


| | |
|-------------|------|
| C 1050/RS | 1050 |
| C 1050/RS/C | 520 |

AD12 (COLGAR/PROMECAM-AMADA)

C45

150



max t/m

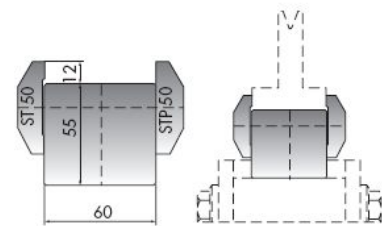
| | |
|-------|-----|
| AD-12 | 100 |
|-------|-----|

CTS60 (PROMECAM-AMADA)

C45

835

415



mm

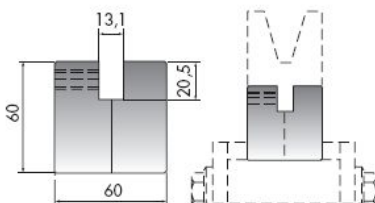
| | |
|---------|-----|
| CTS60 | 835 |
| CTS60/C | 415 |

AD5 (PROMECAM-AMADA/TRUMPF-BEYELER)

C45

1000

500



mm

| | |
|--------|------|
| AD-5 | 1000 |
| AD-5/C | 500 |

AD6 (PROMECAM-AMADA/TRUMPF-BEYELER)

C45

1000

500

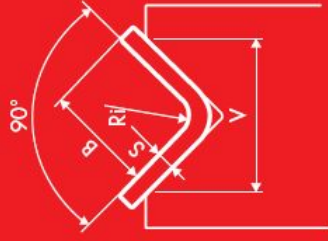


mm

| | |
|--------|------|
| AD-6 | 1000 |
| AD-6/C | 500 |

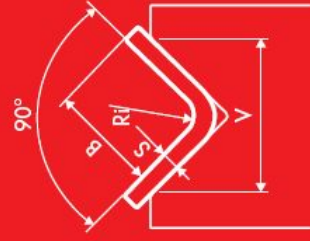
42 kg/mm²

| S mm | 42 kg/mm ² | | | | | | | | | | R = 20 kg/mm ² | | R = 42 kg/mm ² | | R = 70 kg/mm ² | | | | | | | |
|---------|-----------------------|-----|-----|-----|-----|------|-----|------|-----|----|---------------------------|----|---------------------------|----|---------------------------|-----|-----|-----|-----|-----|-----|-----|
| | 4 | 5 | 6 | 8 | 10 | 12 | 16 | 20 | 25 | 32 | 40 | 50 | 63 | 80 | 100 | 125 | 160 | 200 | 250 | V | B | Ri |
| 3 | 3,5 | 4 | 5,5 | 6,5 | 8 | 10,5 | 13 | 16,5 | 21 | 26 | 32,5 | 41 | 52 | 65 | 81,5 | 104 | 130 | 163 | 200 | 250 | 163 | 37 |
| 0,5 | 0,7 | 0,8 | 1 | 1,3 | 1,5 | 2 | 2,5 | 3,2 | 4,4 | 5 | 6,5 | 8 | 10 | 12 | 15 | 20 | 25 | 37 | 50 | 63 | 80 | 100 |
| 0,6 | 5 | 3 | 2 | | | | | | | | | | | | | | | | | | | |
| 0,8 | 12 | 9 | 7 | 5 | 4 | | | | | | | | | | | | | | | | | |
| 1 | 15 | 11 | 8 | 6 | 5 | | | | | | | | | | | | | | | | | |
| 1,2 | 18 | 12 | 9 | 7 | 5 | | | | | | | | | | | | | | | | | |
| 1,5 | 21 | 15 | 12 | 8 | 6 | | | | | | | | | | | | | | | | | |
| 2 | 30 | 23 | 16 | 12 | 9 | | | | | | | | | | | | | | | | | |
| 2,5 | 39 | 27 | 20 | 14 | 11 | | | | | | | | | | | | | | | | | |
| 3 | 43 | 31 | 23 | 16 | 12 | | | | | | | | | | | | | | | | | |
| 4 | 60 | 44 | 32 | 23 | 18 | | | | | | | | | | | | | | | | | |
| 5 | 76 | 54 | 39 | 29 | 22 | | | | | | | | | | | | | | | | | |
| 6 | 85 | 62 | 45 | 33 | 25 | | | | | | | | | | | | | | | | | |
| 8 | 121 | 88 | 70 | 46 | 35 | | | | | | | | | | | | | | | | | |
| 10 | 151 | 109 | 79 | 58 | 44 | | | | | | | | | | | | | | | | | |
| 12 | 173 | 124 | 91 | 66 | 50 | | | | | | | | | | | | | | | | | |
| 15 | 213 | 155 | 113 | 81 | 62 | | | | | | | | | | | | | | | | | |
| 20 | 302 | 220 | 158 | 115 | 89 | | | | | | | | | | | | | | | | | |
| 25 | 378 | 269 | 197 | 144 | | | | | | | | | | | | | | | | | | |



70 kg/mm²

| S mm | 70 kg/mm ² | | | | | | | | | | R = 20 kg/mm ² | | R = 42 kg/mm ² | | R = 70 kg/mm ² | | | | | | | |
|---------|-----------------------|-----|-----|-----|-----|------|-----|------|-----|----|---------------------------|----|---------------------------|----|---------------------------|-----|-----|-----|-----|-----|-----|-----|
| | 4 | 5 | 6 | 8 | 10 | 12 | 16 | 20 | 25 | 32 | 40 | 50 | 63 | 80 | 100 | 125 | 160 | 200 | 250 | V | B | Ri |
| 3 | 3,5 | 4 | 5,5 | 6,5 | 8 | 10,5 | 13 | 16,5 | 21 | 26 | 32,5 | 41 | 52 | 65 | 81,5 | 104 | 130 | 163 | 200 | 250 | 163 | 37 |
| 0,5 | 0,7 | 0,8 | 1 | 1,3 | 1,5 | 2 | 2,5 | 3,2 | 4,4 | 5 | 6,5 | 8 | 10 | 12 | 15 | 20 | 25 | 37 | 50 | 63 | 80 | 100 |
| 0,6 | 10 | 8 | 6 | 4 | | | | | | | | | | | | | | | | | | |
| 0,8 | 20 | 15 | 12 | 8 | 6 | | | | | | | | | | | | | | | | | |
| 1 | 25 | 19 | 13 | 10 | 8 | | | | | | | | | | | | | | | | | |
| 1,2 | 30 | 21 | 15 | 12 | 8 | | | | | | | | | | | | | | | | | |
| 1,5 | 35 | 26 | 20 | 13 | 10 | | | | | | | | | | | | | | | | | |
| 2 | 50 | 38 | 26 | 19 | 15 | | | | | | | | | | | | | | | | | |
| 2,5 | 66 | 45 | 33 | 24 | 18 | | | | | | | | | | | | | | | | | |
| 3 | 71 | 52 | 38 | 27 | 21 | | | | | | | | | | | | | | | | | |
| 4 | 101 | 73 | 53 | 38 | 30 | | | | | | | | | | | | | | | | | |
| 5 | 126 | 90 | 66 | 48 | 37 | | | | | | | | | | | | | | | | | |
| 6 | 142 | 103 | 76 | 55 | 42 | | | | | | | | | | | | | | | | | |
| 8 | 202 | 147 | 117 | 77 | 59 | | | | | | | | | | | | | | | | | |
| 10 | 252 | 182 | 131 | 96 | 74 | | | | | | | | | | | | | | | | | |
| 12 | 288 | 207 | 151 | 110 | 83 | | | | | | | | | | | | | | | | | |
| 15 | 354 | 258 | 189 | 135 | 104 | | | | | | | | | | | | | | | | | |
| 20 | 504 | 367 | 263 | 192 | 148 | | | | | | | | | | | | | | | | | |
| 25 | 603 | 448 | 328 | 240 | | | | | | | | | | | | | | | | | | |



POLMET

Ul. Starowiejska 41
34-730 Mszana Dolna
www.polmet.biz

tel/fax 018 3312241
tel/fax 018 3310177
biuro@polmet.biz



ROLLERI

Rolleri SpA

I-29020 Vigolzone (PC) - Italia - Via Artigiani, 18
Tel. +39 0523 870905 - Fax +39 0523 879030
E-mail: info@rolleri.it - www.rolleri.it